

For reference only. See data sheet for the detailed specifications.

Technical Specification



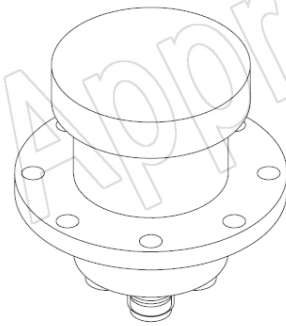
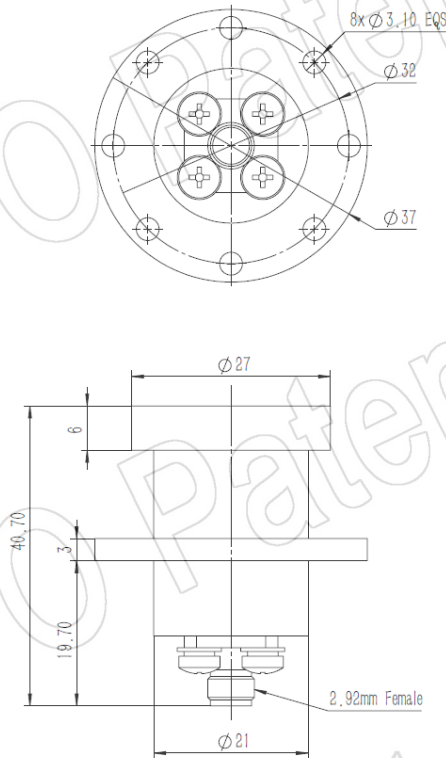
Frequency Range(GHz)	18.0 – 26.5
Gain(dBic)	-1.0 – 5.5
	0 Typ.
Polarization	LHCP or RHCP
Axial Ratio(dB)	3.0 Typ.
	5.5 Max.
3dB Beamwidth(deg)	E Plane: 97 - 61
	H Plane: 92 - 51
VSWR	1.5:1 Typ.
	2.5:1 Max.
Connector	2.92mm-Female
Material	Al
Size(mm)	37 x 37 x 37.7
Net Weight(Kg)	0.05 Around

PATENT ID (China)

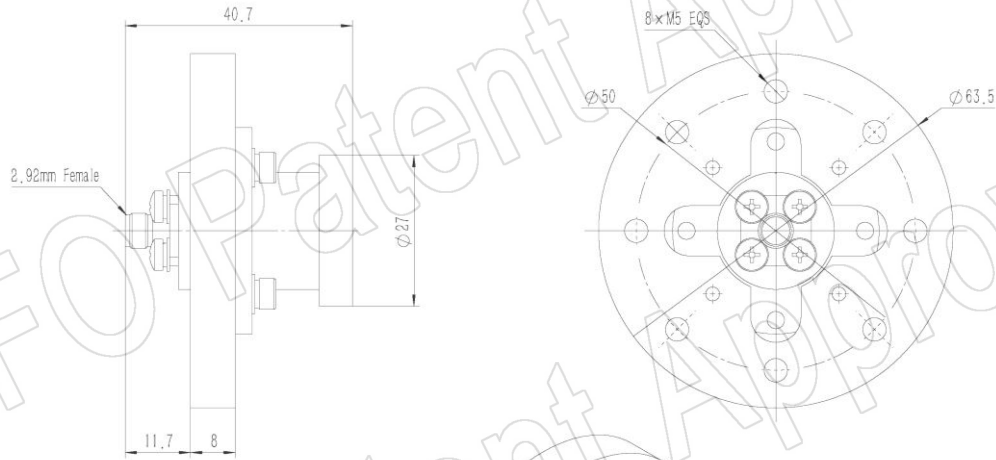
ZL201921373071.0, ZL201630454631.0

Outline Drawing (Size: mm)

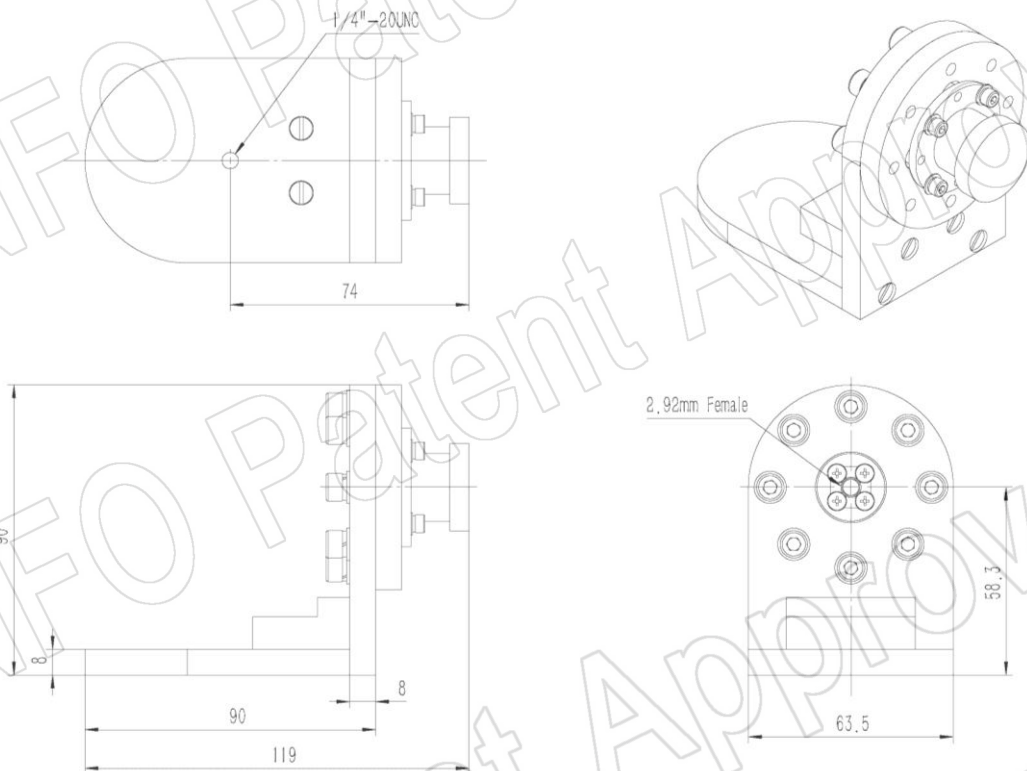
2.92mm-Female Output with Radome (P/N: LX-180265_LHCP or LX-180265_RHCP)



2.92mm-Female Output with Radome & Round Mounting Bracket (Option, P/N: LX-180400-MB)

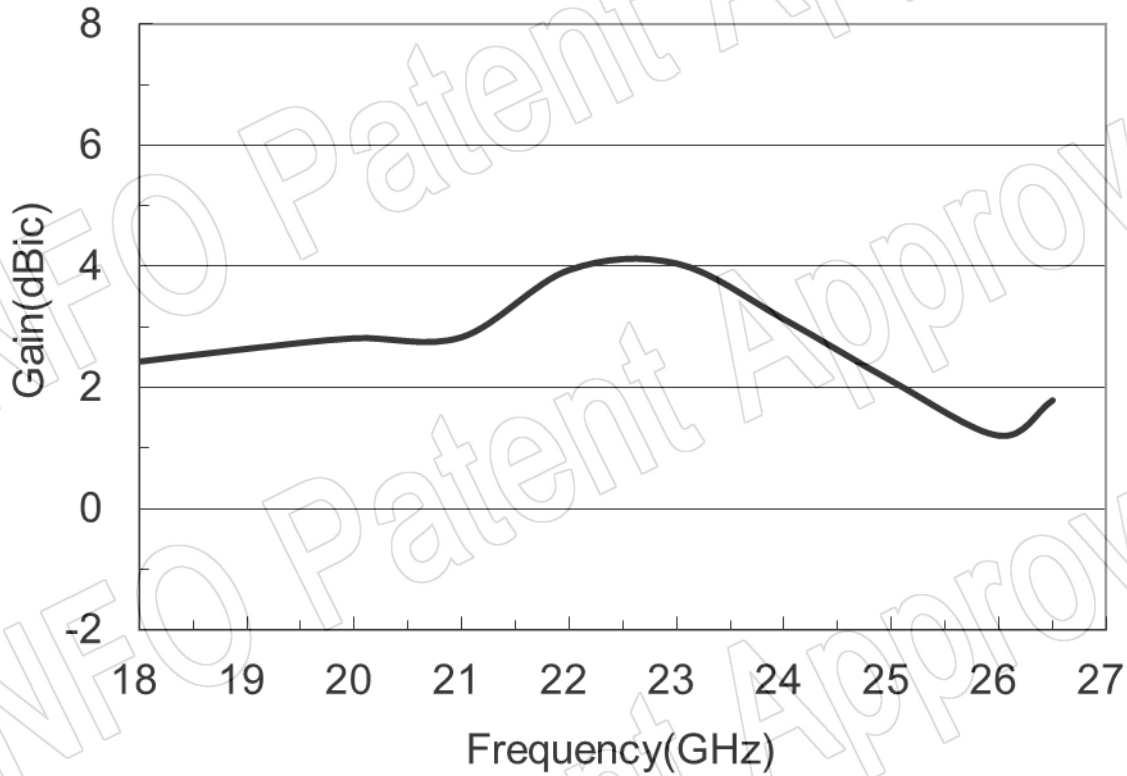


2.92mm-Female Output with Radome & L Type Mounting Bracket (Option, P/N: LX-180400-MBL)

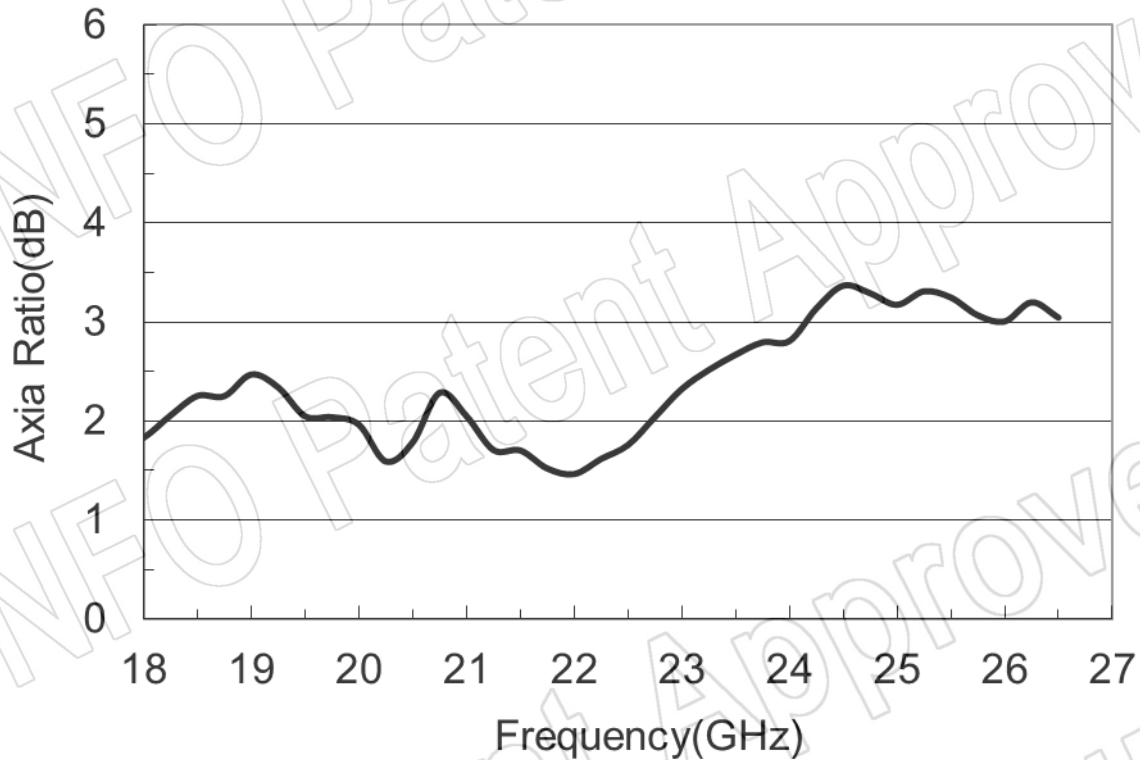


Test Results

1. Gain



2. Axial Ratio



AINFO Inc.

China(Beijing):
China(Chengdu):
USA :

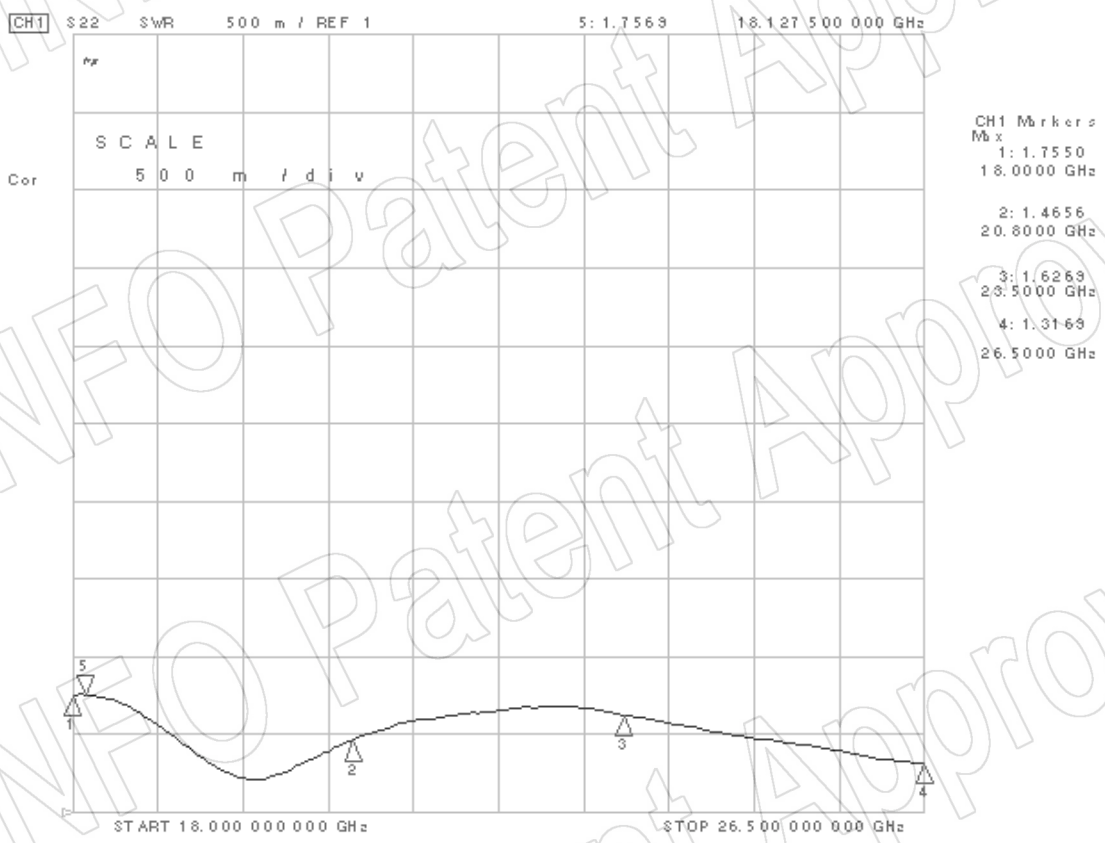
Tel: (+86) 10-6266-7326,
Tel: (+86) 28-8519-2786,
Tel: (+1) 949-639-9688,

(+86) 10-6266-7327
(+86) 28-8519-3044
(+1) 949-639-9608

Fax: (+86) 10-6266-7379
Fax: (+86) 28-8519-3068
Fax: (+1) 949-639-9670

Website: www.ainfoinc.com
Email: sales@ainfoinc.com

3. VSWR



4. Pattern

